

# SYT320240F

v1.0

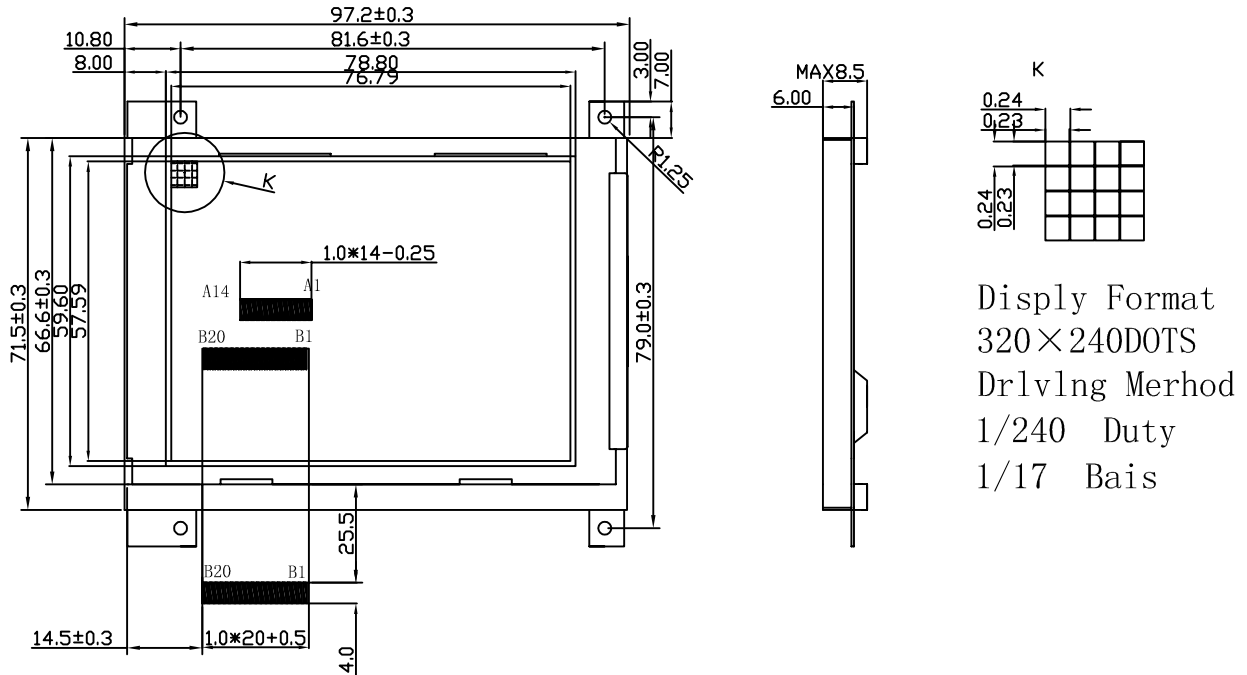
ShenZhen TCC LCD Hi-Tech CO.,Ltd

TEL:075529644102/3/4/5/6/7 FAX:27897479  
 http://www.lcmled.com http://www.tceelcd.com  
 Email:tcc@lcmled.com



地址: 深圳市宝安区39区4号厂房2楼

## ① PHYSICAL DIMENSION/外型尺寸

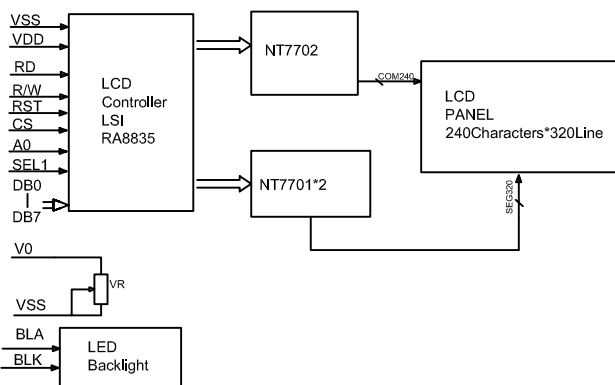


## ② FEATURES/特征

Feature(特征)	UNIT(单位)
LCD type & Colour(类型及颜色)	STN Blue ;FSTN
Vlew Angle(视角)	6 0' clock
Operatng temperature(工作温度)	-20℃ ---- 70℃
Storage Temperature(贮存温度)	-30℃ ---- 80℃
Control IC & Package(控制芯片及封装)	RA8835 TAB
Weight(重量)	108 (With B/L)
Backlight(背光类型)	LED

	Ta=25℃			UNIT(单位)
	MIN(最小)	TYP(典型)	MAX(最大)	
Supply current don't contain backlight(无背光时电流)	0	69		mA
VDD(电源)	-0.3	5.0		V
VLCD-V0(LCD驱动电压)	0	+19.0		V
Backlight LED (背光电压,电流)	側背光	0	5.0	V
		0	120	mA
				mA

## ④ BLOCK DIAGRAM/原理电路



## ③ PIN CONFIGURATION/管脚说明

PIN	SYMBOL	DESCRIPTION/定义描述(B)	
1	VSS	Power ground (地)	
2	VDD	Power positive (逻辑电压)	
3	NC	No connection (空脚)	
4	A0	H:Data L:Instruction Code (指令 数据信号)	
5	R/W	Read or Write. (写数据)	
6	RD	Register select (读信号)	
7	DB0	Data bus [0~7]. There state I/O common terminal. (数据线0-7)	
14	DB7		
15	CS		Chip select (片选)
16	RST		Reset Signal (复位)
17	V0		Operating voltage for LCD Driver (对比度调节)
18	SEL1		Selection of font; H:6*8*, L:8*8* (时序选择)
19	BLA		Power supply for backlight(+) (背光正极)
20	BLK		Power supply for backlight(-) (背光负极)

PIN	SYMBOL	DESCRIPTION/定义描述(A)
1	VDD	Power positive (逻辑电压)
2	VSS	Power ground (地)
3	V0	Operating voltage for LCD Driver (对比度调节)
4	FLM	Frame signal (每一帧开始)
5	LP	Data Latch Pulse (数据锁存信号)
6	M	Alternate signal for LCD (LCD驱动交变信号)
7	CP	Data shift Pulse (数据移位信号)
8	D0	Data bus [0~3]. There state I/O common terminal. (数据线0-3)
11	D3	
12	DISP	
13	BLA	Power supply for backlight(+) (背光正极)
14	BLK	Power supply for backlight(-) (背光负极)